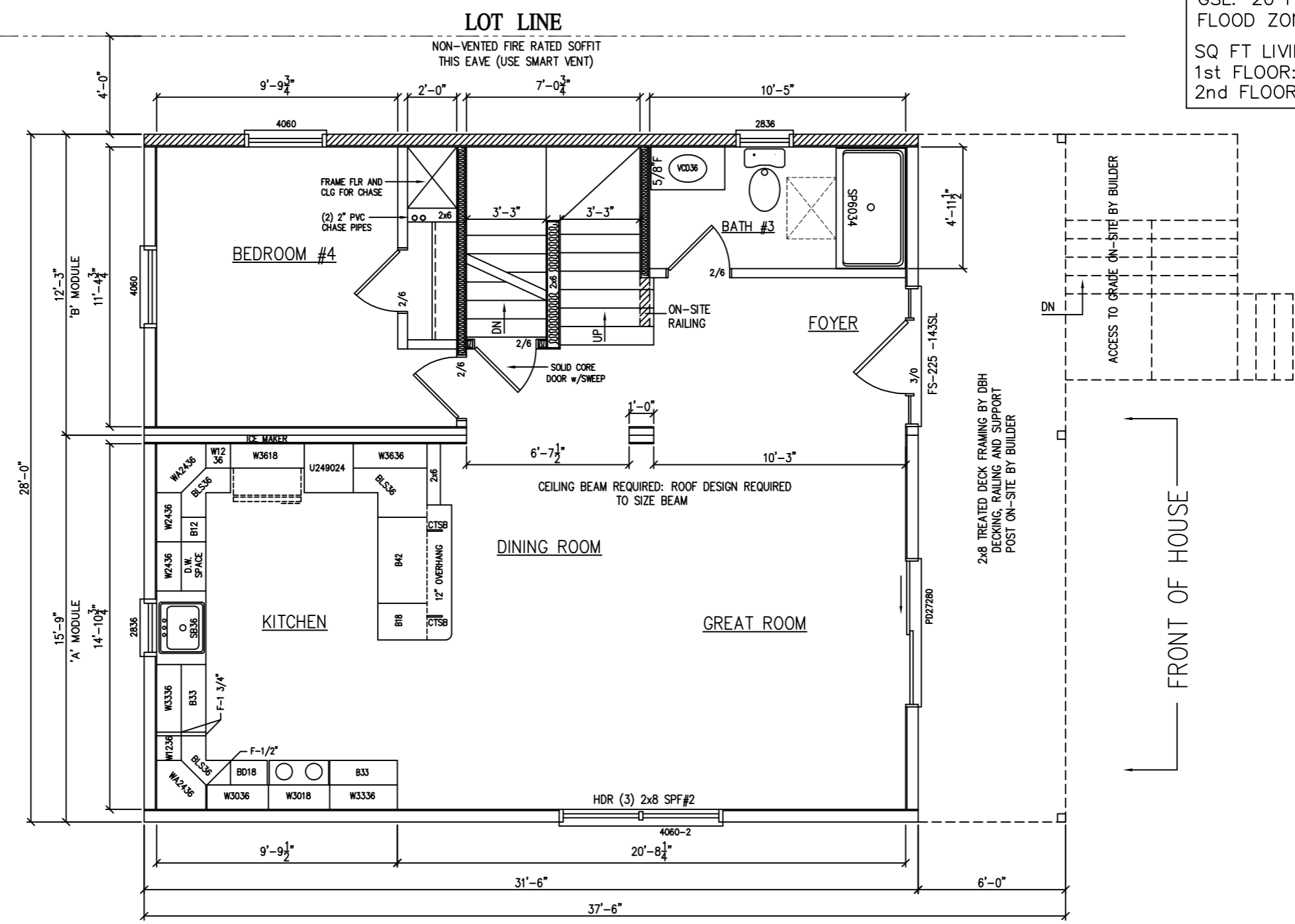


SITE LOCATION:
 ??????
 Ortley Beach NJ.
 Ocean COUNTY
 WIND SPEED: 120 MPH
 GSL: 20 PSF
 FLOOD ZONE: Site address required
 SQ FT LIVING SPACE
 1st FLOOR: 882
 2nd FLOOR: 904.8



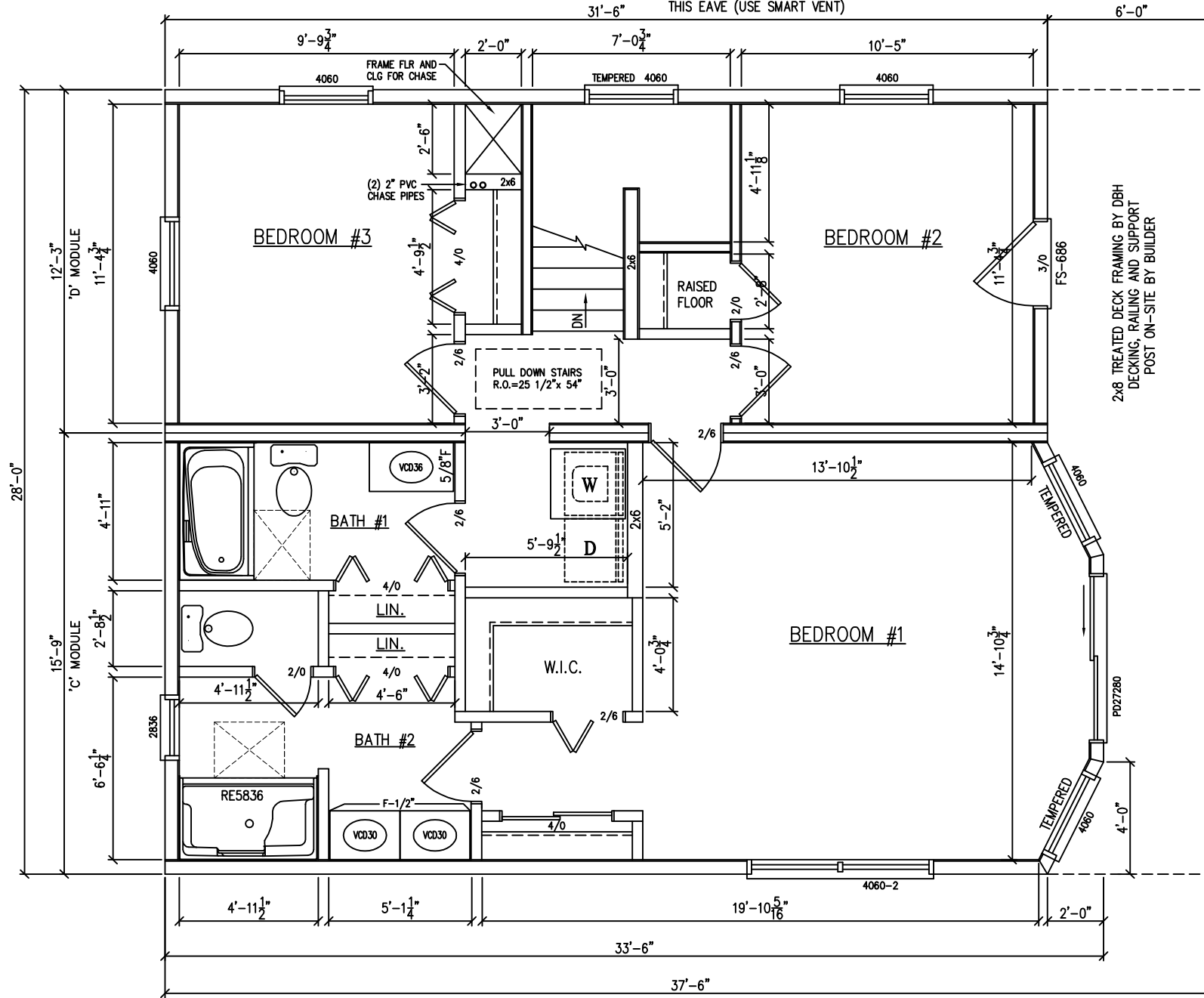
- NOTES:
- 2x12 FLOOR SYSTEM 16" OC
 - 2x6 EXTERIOR WALLS 16" OC (U356)
 - 1st FLR EXT. WALL @ LOT LINE @ 16" OC (WP8105)
 - 2x4 MATE WALLS 16" OC (U341)
 - 8'-4" CEILINGS 1st FLOOR (L539 1st FLOOR CEILINGS)
 - 8'-0" CEILINGS 2nd FLOOR (RC2602 2nd FLOOR CEILINGS)
 - 9/12 RAFTER ROOF SYSTEM 16" OC
 - ON-SITE HEAT SYSTEM

VA CONSTRUCTION

NOTE:
 THIS DRAWING IS CONSIDERED "PRELIMINARY ONLY"
 AT THIS TIME. CERTAIN CHANGES MAY HAVE TO BE MADE
 TO MEET CALCULATIONS AND APPROVAL REQUIREMENTS

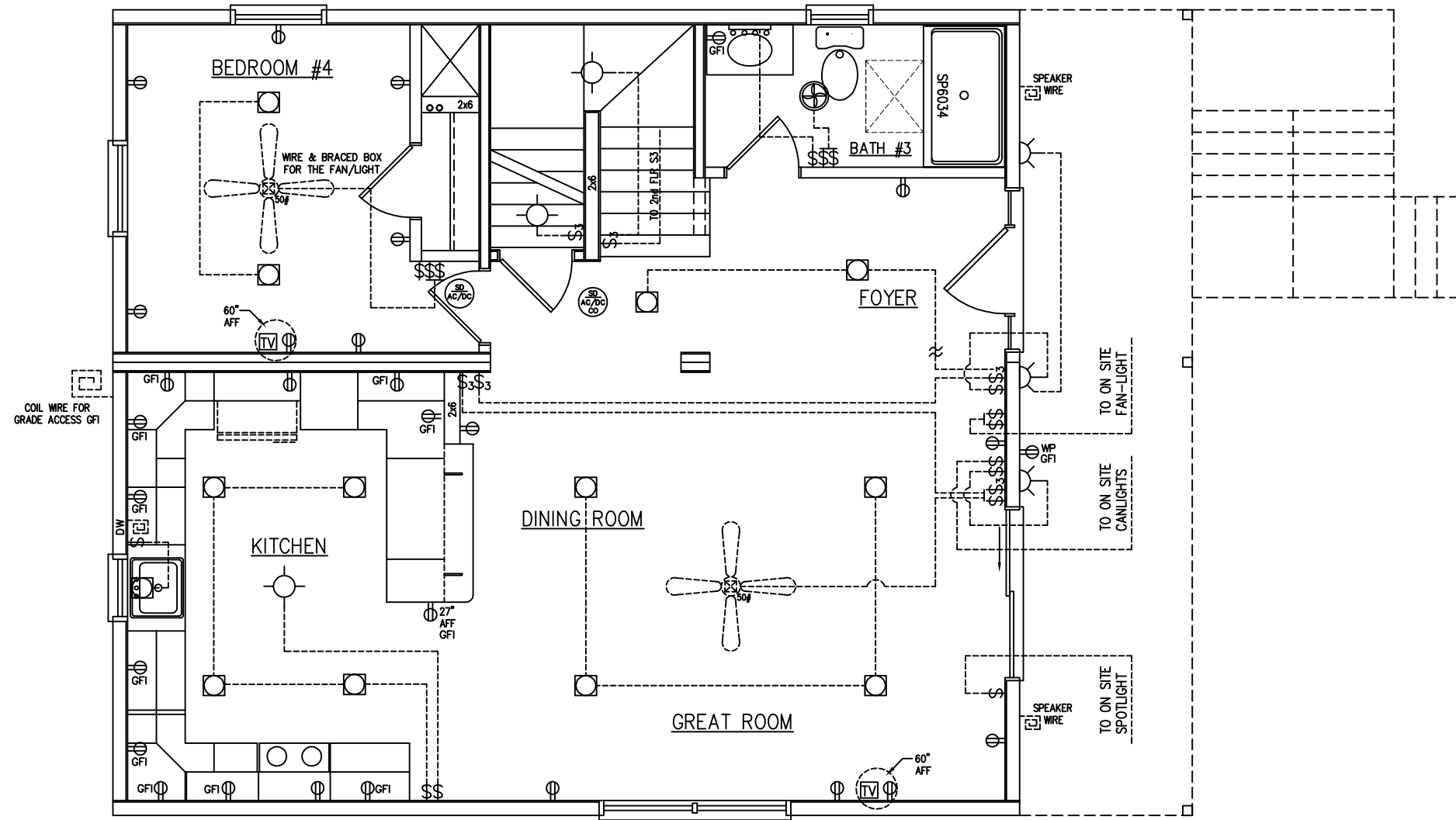
LOT LINE

NON-VENTED FIRE RATED SOFFIT
THIS EAVE (USE SMART VENT)



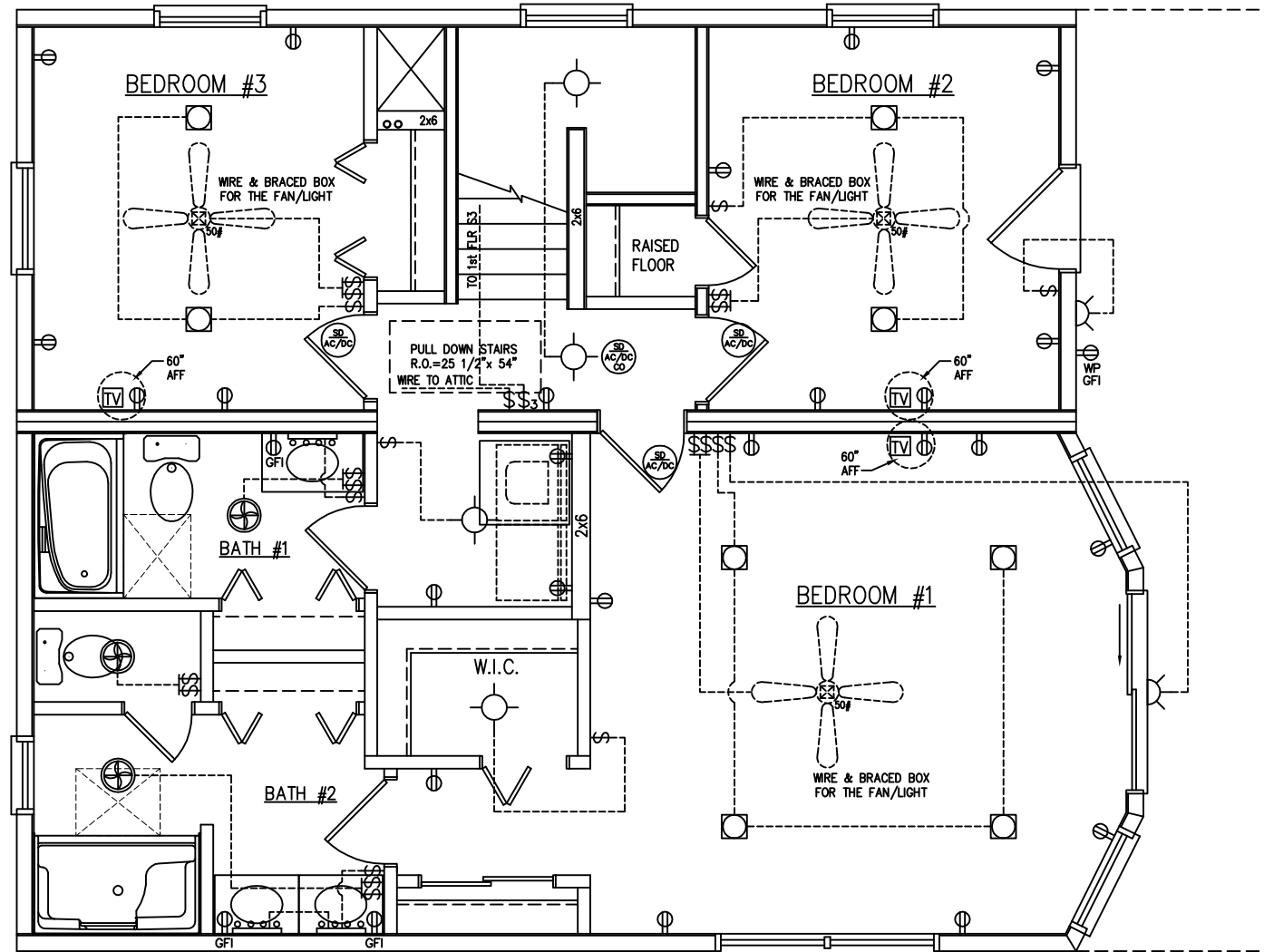
2x8 TREATED DECK FRAMING BY DBH
DECKING, RAILING AND SUPPORT
POST ON-SITE BY BUILDER

NOTE:
THIS DRAWING IS CONSIDERED "PRELIMINARY ONLY"
AT THIS TIME. CERTAIN CHANGES MAY HAVE TO BE MADE
TO MEET CALCULATIONS AND APPROVAL REQUIREMENTS

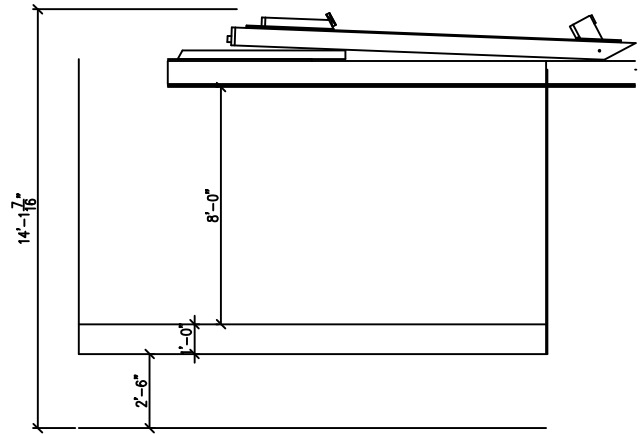


-- NEED PANEL BOX LOCATION --
 -- NEED TANKLESS W/H LOCATION --

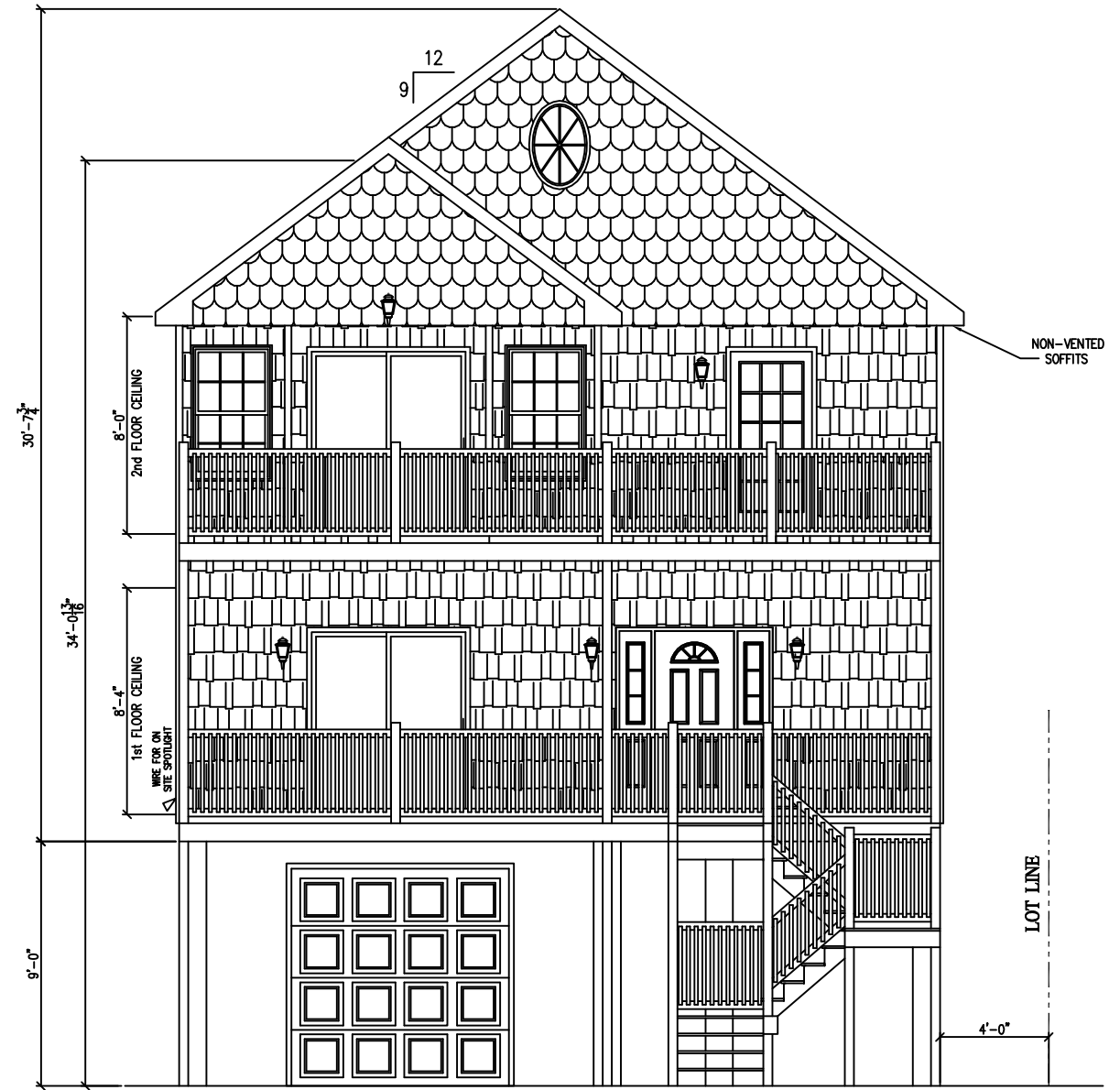
NOTE:
 THIS DRAWING IS CONSIDERED "PRELIMINARY ONLY"
 AT THIS TIME. CERTAIN CHANGES MAY HAVE TO BE MADE
 TO MEET CALCULATIONS AND APPROVAL REQUIREMENTS



NOTE:
 THIS DRAWING IS CONSIDERED "PRELIMINARY ONLY"
 AT THIS TIME. CERTAIN CHANGES MAY HAVE TO BE MADE
 TO MEET CALCULATIONS AND APPROVAL REQUIREMENTS



LEFT SIDE ELEVATION



FRONT ELEVATION

2X8 TREATED DECK FRAMING BY DBH
DECKING, RAILING AND SUPPORT
POST ON-SITE BY BUILDER

ACCESS TO GRADE ON-SITE BY BUILDER

NOTE:
THIS DRAWING IS CONSIDERED "PRELIMINARY ONLY"
AT THIS TIME. CERTAIN CHANGES MAY HAVE TO BE MADE
TO MEET CALCULATIONS AND APPROVAL REQUIREMENTS